







Sophisticated detail

Thin extruded diffuser snapped in place with a single refined chrome joiner.



dazzling view

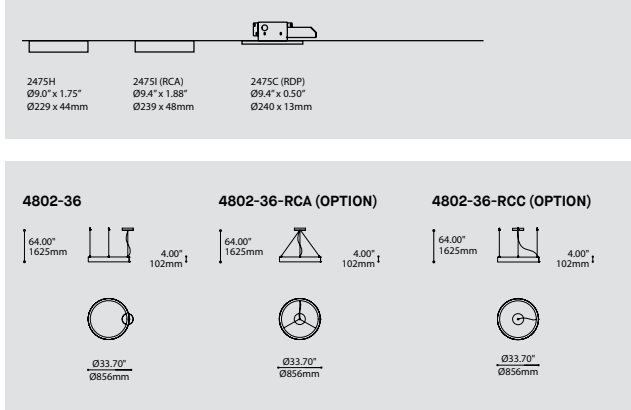


COMPASS 4802-36 / 4802DI-36

PROJECT	PROJET
SPEC TYPE	
NOTES	



MOUNTING OPTIONS OPTIONS DE MONTAGE



ORDERING SPECIFICATION	SPÉCIFICATION DE COMMANDE	CODE
MODEL MODÈLE		
4802-36	COMPASS 36"	
4802DI-36	COMPASS UPLIGHT 36"	
LIGHT SOURCE SOURCE LUMINEUSE		LED
(WATTAGE, LAMP TYPE, OTHER INFO)		
4802-36		
LED	REGULAR OUTPUT	
4802DI-36		
LED	REGULAR OUTPUT	
COLOR TEMPERATURE TEMPÉRATURE DE COULEUR		
27	2700K	
30	3000K	
35	3500K	
40*	4000K	
* LONGER LEAD TIME MAY APPLY, PLEASE CONTACT YOUR EUREKA REPRESENTATIVE		
COLOR RENDERING INDEX (CRI) INDICE DE RENDU DE COULEUR (IRC)		90
90	90+ CRI	
VOLTAGE VOLTAJE		
120V	120 VOLT	
277V	277 VOLT	
DIMMING OPTION OPTION DE GRADATION		
DV	0-10V DIMMING (120-277V)	
DP	PHASE DIMMING (120V ONLY)	
LED DIMMING DRIVER IS STANDARD IN THIS PRODUCT. PLEASE SPECIFY YOUR DIMMING TYPE.		
DRIVER POSITION POSITION DU PILOT		
RDP	RECESSED DRIVER*	
*3981C OR 3981D ACCESSORY IS REQUIRED		
CABLE CABLE		AC
AC	AIRCRAFT MOUNTING & CLEAR CABLE, FIELD ADJUSTABLE	
CABLE LENGTH LONGUEUR DE CABLE		
60	60" AIRCRAFT CABLE (STD LENGTH)	
**	CUSTOM AIRCRAFT CABLE LENGTH (PLEASE SPECIFY)	
FOR OVERALL LENGTH PLEASE CONTACT YOUR EUREKA REPRESENTATIVE.		
MOUNTING OPTION OPTION DE MONTAGE		RC
RC	ROUND CANOPY / PAVILLON ROND	
FOR RCA: 1.88" CANOPY (2475I)		
FOR RECESSED DRIVER OPTION: 0.50" CANOPY (2475C)		
FOR STANDARD: 1.75" CANOPY (2475H)		
MOUNTING CABLE OPTION OPTION DE MONTAGE DE CABLE		
IF NO OPTION IS SELECTED, AN OFF-CENTERED ROUND CANOPY WITH STRAIGHT AIRCRAFT CABLES WILL BE PROVIDED		
RCA	CENTERED ROUND CANOPY - AIRCRAFT CABLES ANGLED TO CENTER*	
RCC	CENTERED ROUND CANOPY - STRAIGHT AIRCRAFT CABLES	
*NOT AVAILABLE WITH RECESSED DRIVER (RDP)		
CANOPY FINISH FINI PAVILLON		WHE
WHE	WHITE FINE TEXTURE	
RING FINISH FINI ANNEAUX		WHE
WHE	WHITE FINE TEXTURE	
DIFFUSER FINISH FINI DIFFUSEUR		WH
WH	WHITE	
ACCESSORY ACCESSOIRE		
3981C	JUNCTION BOX FOR RECESSED DRIVER OPTION (4802D-36)	
3981D	JUNCTION BOX FOR RECESSED DRIVER OPTION (4802DI-36)	

PRODUCT CHARACTERISTICS CARACTÉRISTIQUES DU PRODUIT

- BIM**
- DIM**
- IES**
- LED**

DESIGN: Marrying simplicity and fineness, the Compass enhances the space with its elegantly shaped luminous halos.

INSTALLATION: Easy to install, adjust and level using triple aircraft cables; available with straight or angled cables towards a central canopy.

LIGHT SOURCE: Double row of custom designed light engine featuring high performance LED.

STRUCTURE: Seamlessly finished, rolled aluminum extrusion with highly reflective matte white polyester powder coating enclosed with an extruded optical PMMA diffuser snapped in place and finished with an elegant chrome plated joiner.

CERTIFIED: c-CSA-us

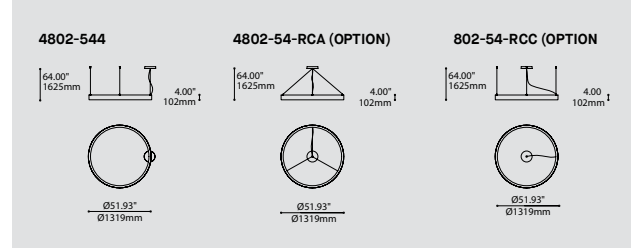
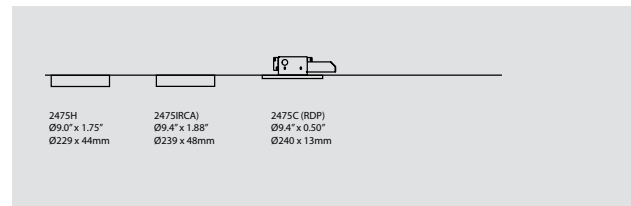


COMPASS 4802-54 / 4802DI-54

PROJECT PROJET
SPEC TYPE
NOTES



MOUNTING OPTIONS OPTIONS DE MONTAGE



ORDERING SPECIFICATION	SPÉCIFICATION DE COMMANDE	CODE
MODEL MODÈLE		
4802-54	COMPASS 54"	
4802DI-54	COMPASS UPLIGHT 54"	
LIGHT SOURCE SOURCE LUMINEUSE		LED
4802-54 LED	REGULAR OUTPUT	
4802DI-54 LED	REGULAR OUTPUT	
COLOR TEMPERATURE TEMPÉRATURE DE COULEUR		
27	2700K	
30	3000K	
35	3500K	
40*	4000K	
* LONGER LEAD TIME MAY APPLY, PLEASE CONTACT YOUR EUREKA REPRESENTATIVE		
COLOR RENDERING INDEX (CRI) INDICE DE RENDU DE COULEUR (IRC)		90
90	90+ CRI	
VOLTAGE VOLTAGE		
120V	120 VOLT	
277V	277 VOLT	
DIMMING OPTION OPTION DE GRADATION		
DV	0-10V DIMMING (120V-277V)	
DP	PHASE DIMMING (120V ONLY)	
LED DIMMING DRIVER IS STANDARD IN THIS PRODUCT, PLEASE SPECIFY YOUR DIMMING TYPE.		
DRIVER POSITION POSITION DU PILOT		
RDP	RECESSED DRIVER* 3981D ACCESSORY IS REQUIRED	
CABLE CÂBLE		AC
AC	AIRCRAFT MOUNTING & CLEAR CABLE, FIELD ADJUSTABLE	
CABLE LENGTH LONGUEUR DE CÂBLE		
60	60" AIRCRAFT CABLE (STD LENGTH)	
**	CUSTOM AIRCRAFT CABLE LENGTH (PLEASE SPECIFY) FOR OVERALL LENGTH PLEASE CONTACT YOUR EUREKA REPRESENTATIVE.	
MOUNTING OPTION OPTION DE MONTAGE		
RC	ROUND CANOPY / PAVILLON ROND FOR RCA: 1.88" CANOPY (2475I) FOR RECESSED DRIVER OPTION: 0.50" CANOPY (2475C) FOR STANDARD: 1.75" CANOPY (2475H)	
MOUNTING CABLE OPTION OPTION DE MONTAGE DE CÂBLE		
RCA	CENTERED ROUND CANOPY - AIRCRAFT CABLES ANGLED TO CENTER*	
RCC	CENTERED ROUND CANOPY - STRAIGHT AIRCRAFT CABLES *NOT AVAILABLE WITH RECESSED DRIVER (RDP)	
CANOPY FINISH FINI PAVILLON		WHE
WHE	WHITE FINE TEXTURE	
RING FINISH FINI DIFFUSER		WHE
WHE	WHITE FINE TEXTURE	
DIFFUSER FINISH FINI DIFFUSEUR		WH
WH	WHITE	
ACCESSORY ACCESSOIRE		
3981D	JUNCTION BOX FOR RECESSED DRIVER OPTION	

PRODUCT CHARACTERISTICS CARACTÉRISTIQUES DU PRODUIT

- BIM
- DIM
- IES
- LED

DESIGN: Marrying simplicity and fineness, the Compass enhances the space with its elegantly shaped luminous halos.

INSTALLATION: Easy to install, adjust and level using triple aircraft cables; available with straight or angled cables towards a central canopy.

LIGHT SOURCE: Double row of custom designed light engine featuring high performance LED.

STRUCTURE: Seamlessly finished, rolled aluminum extrusion with highly reflective matte white polyester powder coating enclosed with an extruded optical PMMA diffuser snapped in place and finished with an elegant chrome plated joiner.

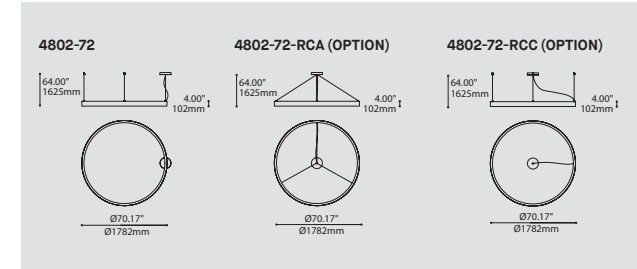
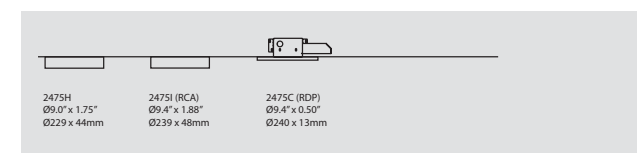
CERTIFIED: c-CSA-us

COMPASS 4802-72 / 4802DI-72

PROJECT PROJET
SPEC TYPE
NOTES



MOUNTING OPTIONS OPTIONS DE MONTAGE



ORDERING SPECIFICATION	SPÉCIFICATION DE COMMANDE	CODE
MODEL MODÈLE		
4802-72	COMPASS 72"	
4802DI-72	COMPASS UPLIGHT 72"	
LIGHT SOURCE SOURCE LUMINEUSE		LED
(WATTAGE, LAMP TYPE, OTHER INFO)		
4802-72 LED	REGULAR OUTPUT	
4802DI-72 LED	REGULAR OUTPUT	
COLOR TEMPERATURE TEMPÉRATURE DE COULEUR		
27	2700K	
30	3000K	
35	3500K	
40*	4000K	
* LONGER LEAD TIME MAY APPLY, PLEASE CONTACT YOUR EUREKA REPRESENTATIVE		
COLOR RENDERING INDEX (CRI) INDICE DE RENDU DE COULEUR (IRC)		90
90	90+ CRI	
VOLTAGE VOLTAGE		
120V	120 VOLT	
277V	277 VOLT	
DIMMING OPTION OPTION DE GRADATION		
DV	0-10V DIMMING (120-277V)	
DP	PHASE DIMMING (120V ONLY)	
LED DIMMING DRIVER IS STANDARD IN THIS PRODUCT, PLEASE SPECIFY YOUR DIMMING TYPE.		
DRIVER POSITION POSITION DU PILOT		
RDP	RECESSED DRIVER* *3981C (80W) OR 3981D (128W & 174W) ACCESSORY IS REQUIRED	
CABLE CÂBLE		AC
AC	AIRCRAFT MOUNTING & CLEAR CABLE, FIELD ADJUSTABLE	
CABLE LENGTH LONGUEUR DE CÂBLE		
60	60" AIRCRAFT CABLE (STD LENGTH)	
**	CUSTOM AIRCRAFT CABLE LENGTH (PLEASE SPECIFY) FOR OVERALL LENGTH PLEASE CONTACT YOUR EUREKA REPRESENTATIVE.	
MOUNTING OPTION OPTION DE MONTAGE		RC
RC	ROUND CANOPY / PAVILLON ROND FOR RCA: 1.88" CANOPY (2475I) FOR RECESSED DRIVER OPTION: 0.50" CANOPY (2475C) FOR STANDARD: 1.75" CANOPY (2475H)	
MOUNTING CABLE OPTION OPTION DE MONTAGE DE CÂBLE		
RCA	CENTERED ROUND CANOPY - AIRCRAFT CABLES ANGLED TO CENTER*	
RCC	CENTERED ROUND CANOPY - STRAIGHT AIRCRAFT CABLES *NOT AVAILABLE WITH RECESSED DRIVER (RDP)	
CANOPY FINISH FINI PAVILLON		WHE
WHE	WHITE FINE TEXTURE	
RING FINISH FINI ANNEAUX		WHE
WHE	WHITE FINE TEXTURE	
DIFFUSER FINISH FINI DIFFUSEUR		WH
WH	WHITE	
ACCESSORY ACCESSOIRE		
3981D	JUNCTION BOX FOR RECESSED DRIVER OPTION (ALL 4802-72, ALL 4802DI-72)	

PRODUCT CHARACTERISTICS CARACTÉRISTIQUES DU PRODUIT

- BIM
- DIM
- IES
- LED

DESIGN: Marrying simplicity and fineness, the Compass enhances the space with its elegantly shaped luminous halos.

INSTALLATION: Easy to install, adjust and level using triple aircraft cables; available with straight or angled cables towards a central canopy.

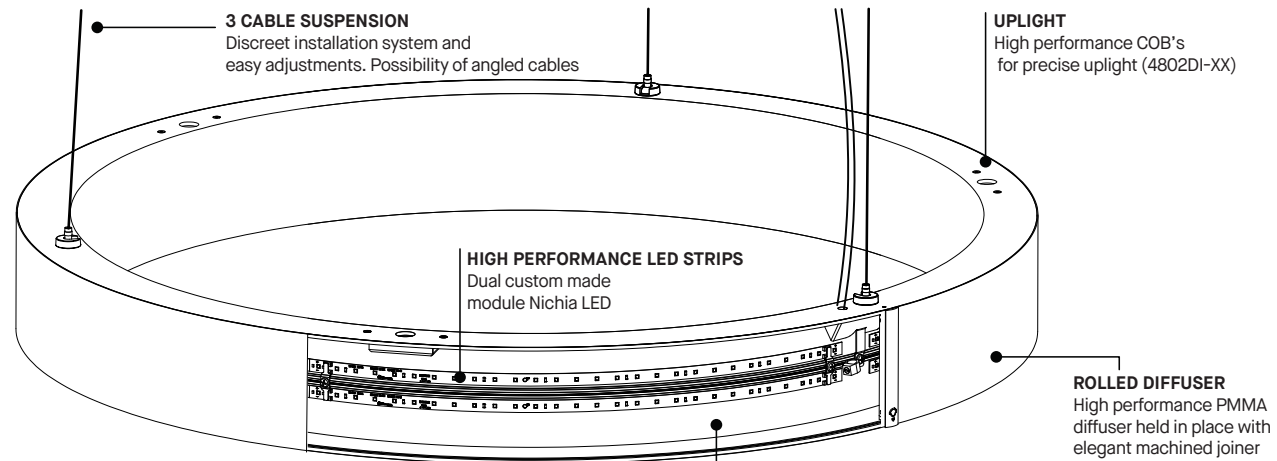
LIGHT SOURCE: Double row of custom designed light engine featuring high performance LED.

STRUCTURE: Seamlessly finished, rolled aluminum extrusion with highly reflective matte white polyester powder coating enclosed with an extruded optical PMMA diffuser snapped in place and finished with an elegant chrome plated joiner.

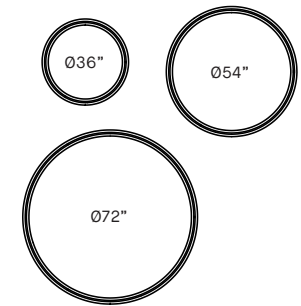
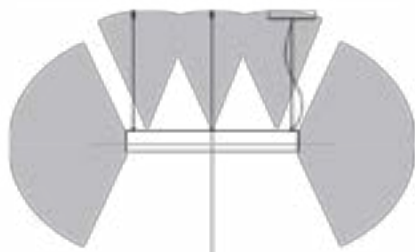
CERTIFIED: c-CSA-us



TECHNICAL DATA



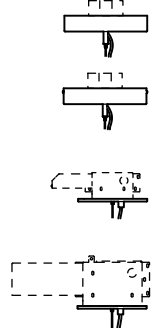
UPLIGHT PHOTOMETRICS



3 VERSATILE SIZES
An infinite number of possible layout
From smallest to the largest space

HEAT SINK
CNC rolled aluminum extrusion
White matte powder coating

CANOPY OPTIONS



SCREWLESS CANOPY 9.4"X1.88"

Mounting on a 4" standard j-box

STANDARD CANOPY 9.4"X1.88"

Mounting on a 4" standard j-box
For RCA option

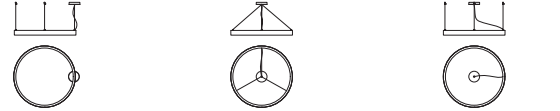
LOW PROFILE CANOPY 9.4"X0.50"

Mounting on Eureka box 3981C (sold separately)
For 4802-36 / 4802-54 DV and 4802-36 DP
Recessed driver for discreet installation

LOW PROFILE CANOPY 9.4"X0.50"

Mounting on Eureka box 3981D (sold separately)
For 4802-72 DV and 4802-54 / 4802-72 DP
For 4802DI-36, 4802DI-54 and 4802DI-72
Recessed driver for discreet installation

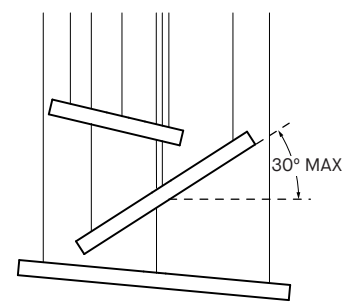
CANOPY POSITION



4802-XX
Centered with mounting point (standard)

4802-XX-RCA
Centered with luminaire / Centered cables

4802-XX-RCC
Centered with luminaire / Straight cables



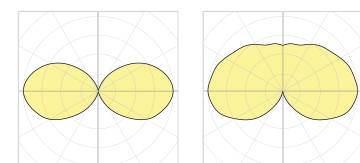
HANG IT STRAIGHT OR ANGLED
Can be installed with a maximum horizontal angle of 30°

PRODUCT SPECIFICATION	4802-36	4802-54	4802-72	4802DI-36	4802DI-54	4802DI-72
PERFORMANCE						
SYSTEM WATTAGE	54 W	78 W	115 W	66 W	96 W	271 W
DELIVERED LUMENS (4000K)	5215 LM	7766 LM	10906 LM	6183 LM	9168 LM	15926 LM
EFFICACY	96.6 LM/W	99.5 LM/W	94.8 LM/W	93.7 LM/W	108.3 LM/W	66.5 LM/W
OTHER INFORMATION						
LUMINAIRE'S WEIGHT	13 LBS	20 LBS	26 LBS	13 LBS	20 LBS	26 LBS
L70 (LUMEN MAINTENANCE)	60 000 HRS	60 000 HRS	60 000 HRS	60 000 HRS	60 000 HRS	60 000 HRS
MAX. LUMINANCE 45°-90° OF NADIR	4369 CD/M ²	3453 CD/M ²	3245 CD/M ²	4157 CD/M ²	3531 CD/M ²	3731 CD/M ²
LIGHT QUALITY	R9 > 50	R9 > 50	R9 > 50	R9 > 50	R9 > 50	R9 > 50

EFFICACY MULTIPLIERS

CRI	CCT	FACTOR
90+	4000K	1.00
90+	3500K	0.96
90+	3000K	0.92
90+	2700K	0.87

LIGHT DISTRIBUTION

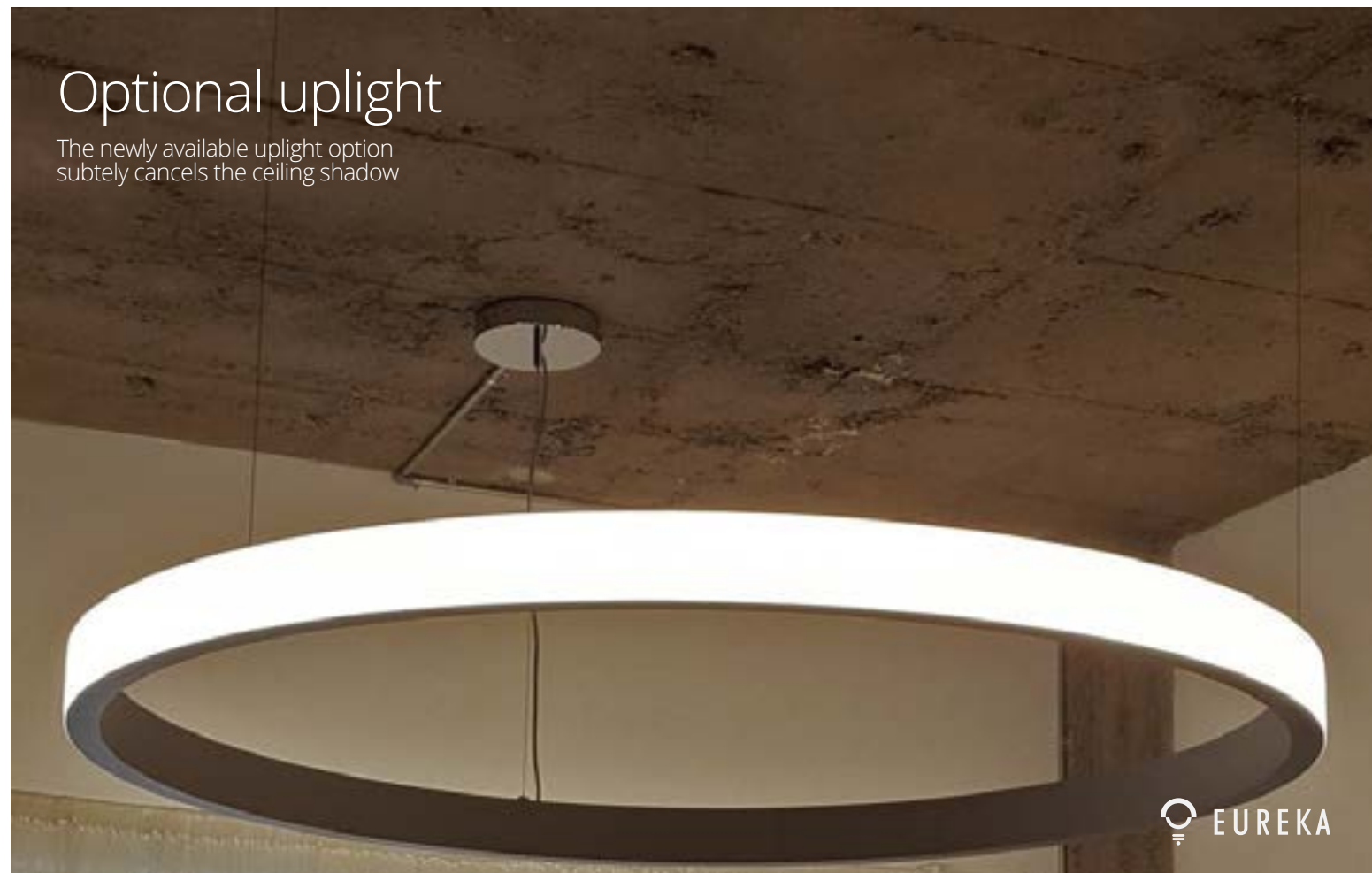


4802-XX

4802DI-XX



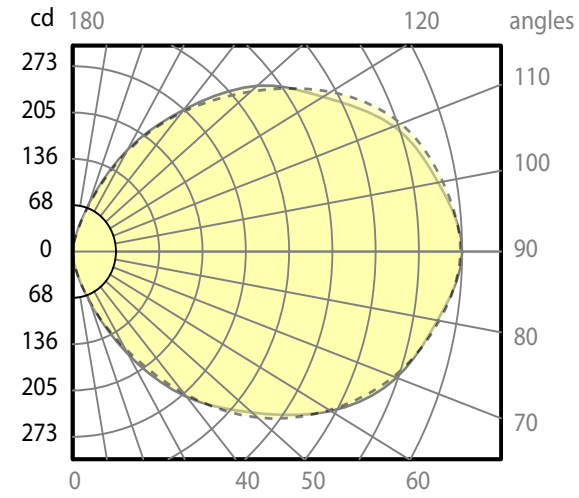
Visit our website for warranty terms and conditions.



Photometric Report

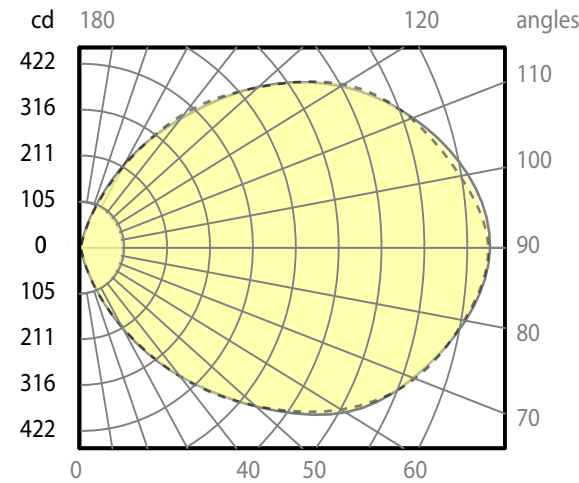
4802-36-LED.40

CCT (K) 4000
 Delivered lumens (lm) 5215
 System wattage (W) 53
 Distribution Direct / Indirect
 Delivered Efficacy (lm/W) 198
 Photometric type C



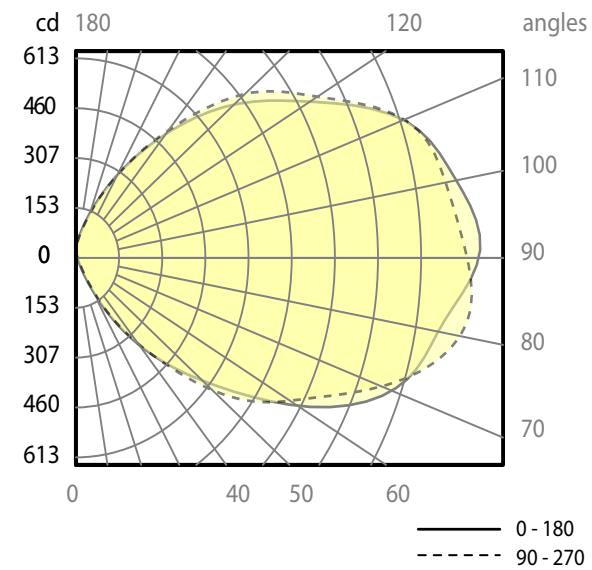
4802-54-LED.40

CCT (K) 4000
 Delivered lumens (lm) 7766
 System wattage (W) 77.4
 Distribution Direct / Indirect
 Delivered Efficacy (lm/W) 100
 Photometric type C



4802-72-LED.40

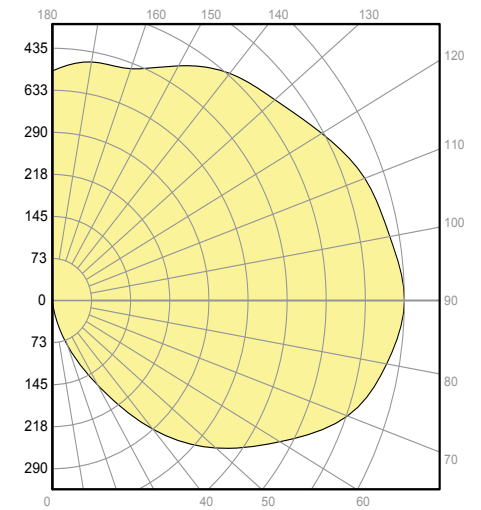
CCT (K) 4000
 Delivered lumens (lm) 10906
 System wattage (W) 114
 Distribution Direct / Indirect
 Delivered Efficacy (lm/W) 95
 Photometric type C



Photometric Report

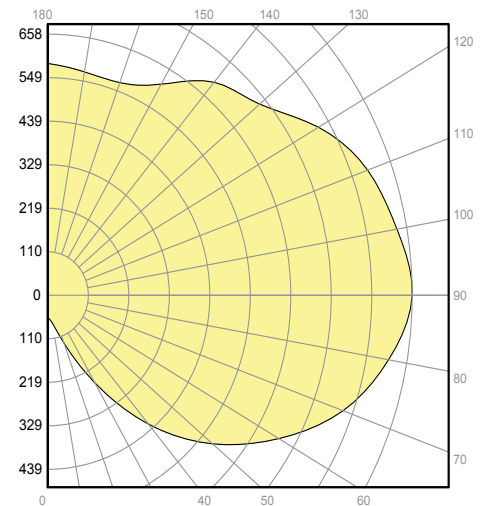
4802DI-36 LED

CCT (K): 3500
 Delivered Lumens (lm): 6173
 System wattage (W)*: 66.6
 Distribution: Direct-Indirect
 Delivered Efficacy (lm/W): 93
 Photometric type C



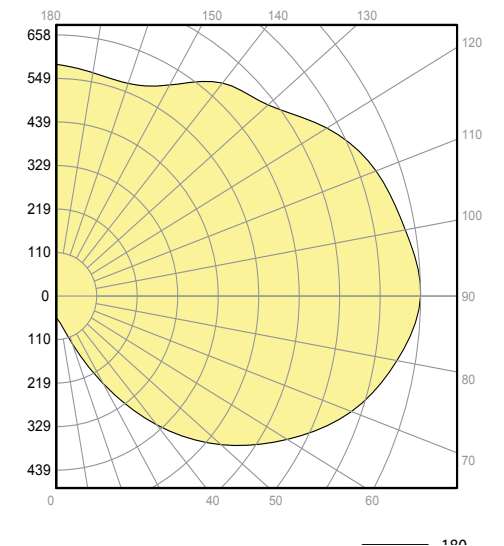
4802DI-54 LED

CCT (K): 3500
 Delivered Lumens (lm): 9152
 System wattage (W)*: 96.4
 Distribution: Direct-Indirect
 Delivered Efficacy (lm/W): 95
 Photometric type C



4802DI-72 LED

CCT (K): 3500
 Delivered Lumens (lm): 18034
 System wattage (W)*: 271.6
 Distribution: Direct-Indirect
 Delivered Efficacy (lm/W): 58
 Photometric type C









Compass 4802DI

 EUREKA